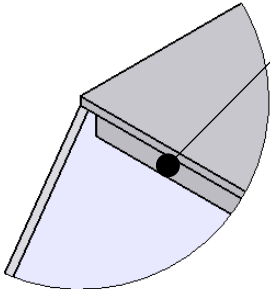
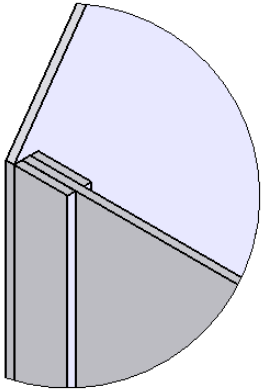


Mill Enclosure Details

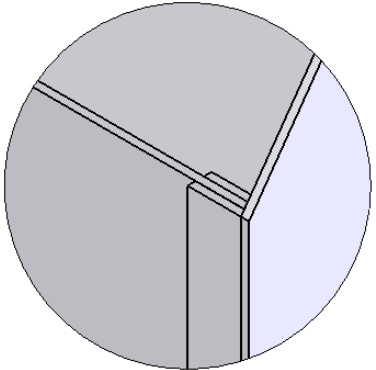
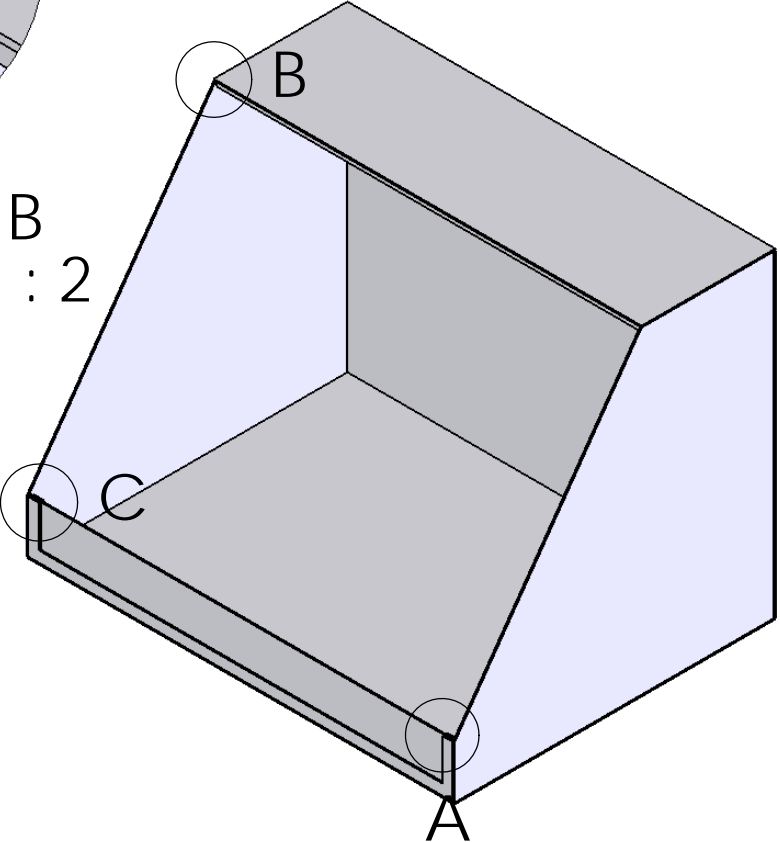


This reinforcement should be placed 3mm inwards from the front of the top piece.

DETAIL B
SCALE 1 : 2



DETAIL C
SCALE 1 : 2



DETAIL A
SCALE 1 : 2